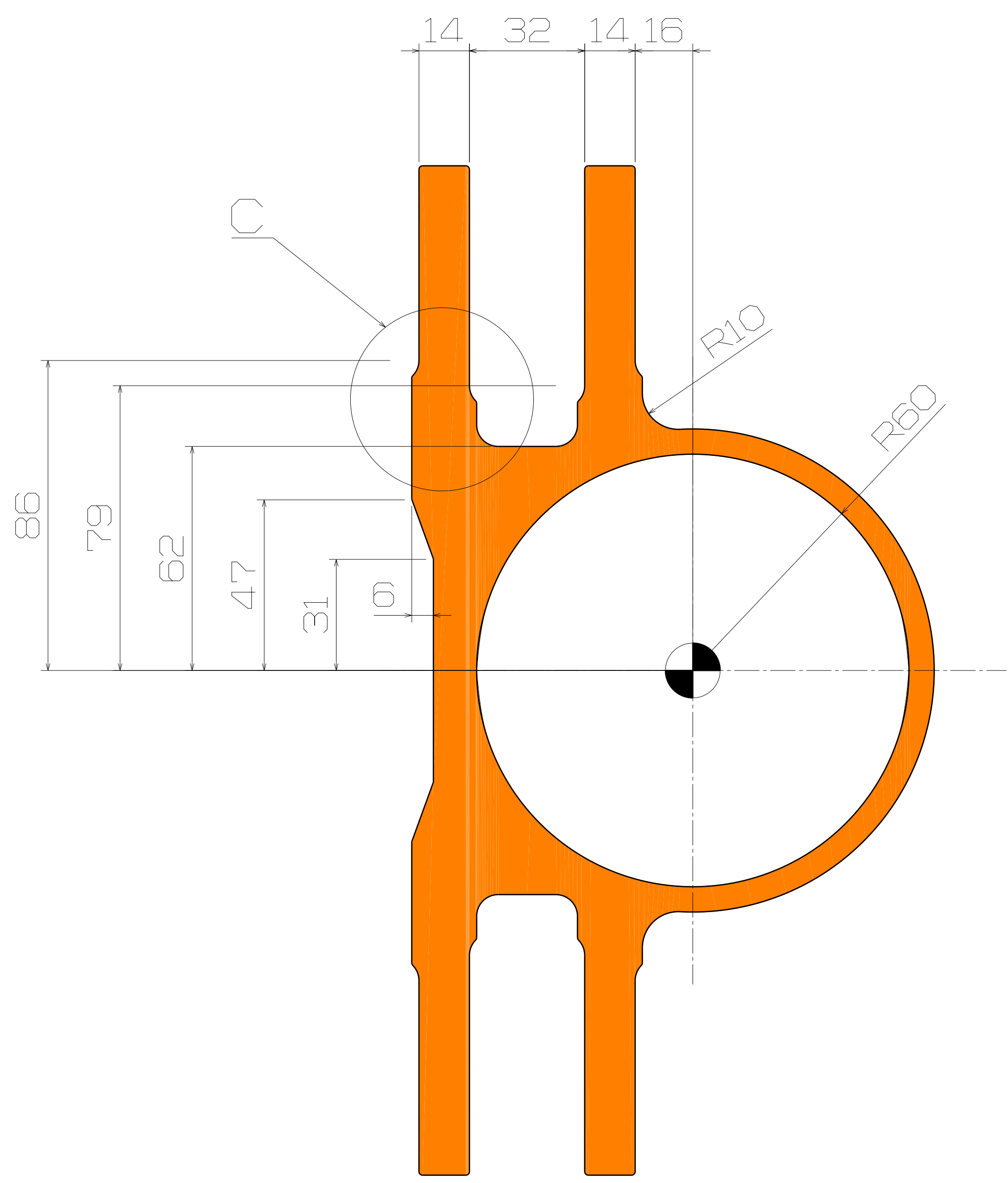
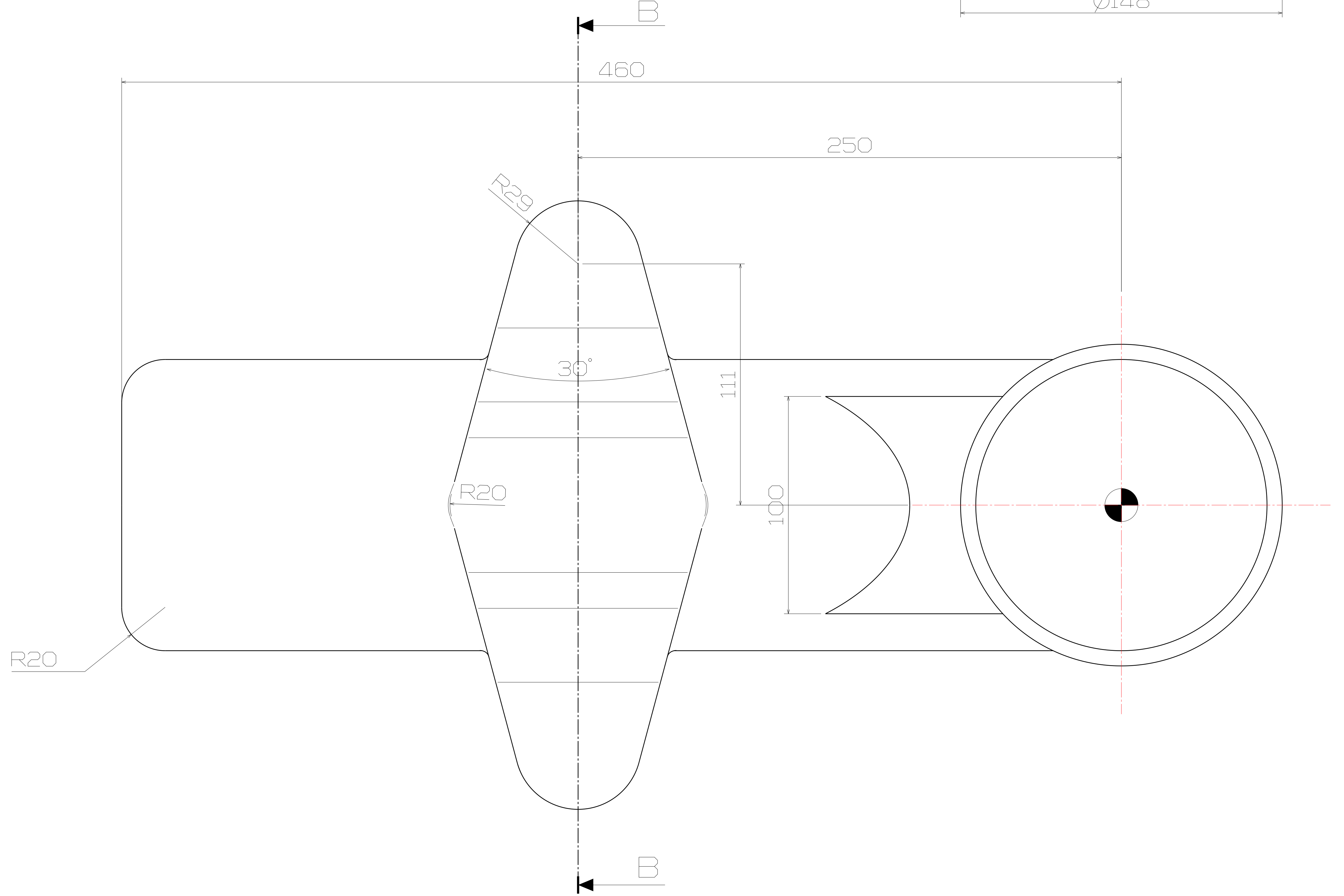
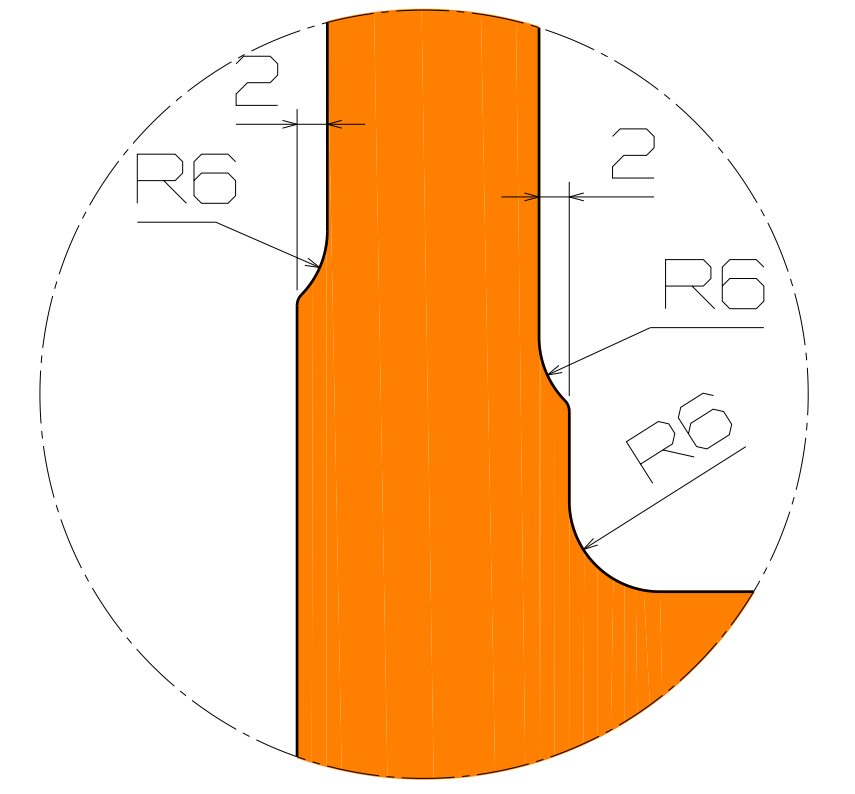


Detail A
Scale 2:1



Section view B-B



Detail C
Scale: 2:1

NOTE
Unspecified Fillet : 1mm