

H

G

F

E

D

C

B

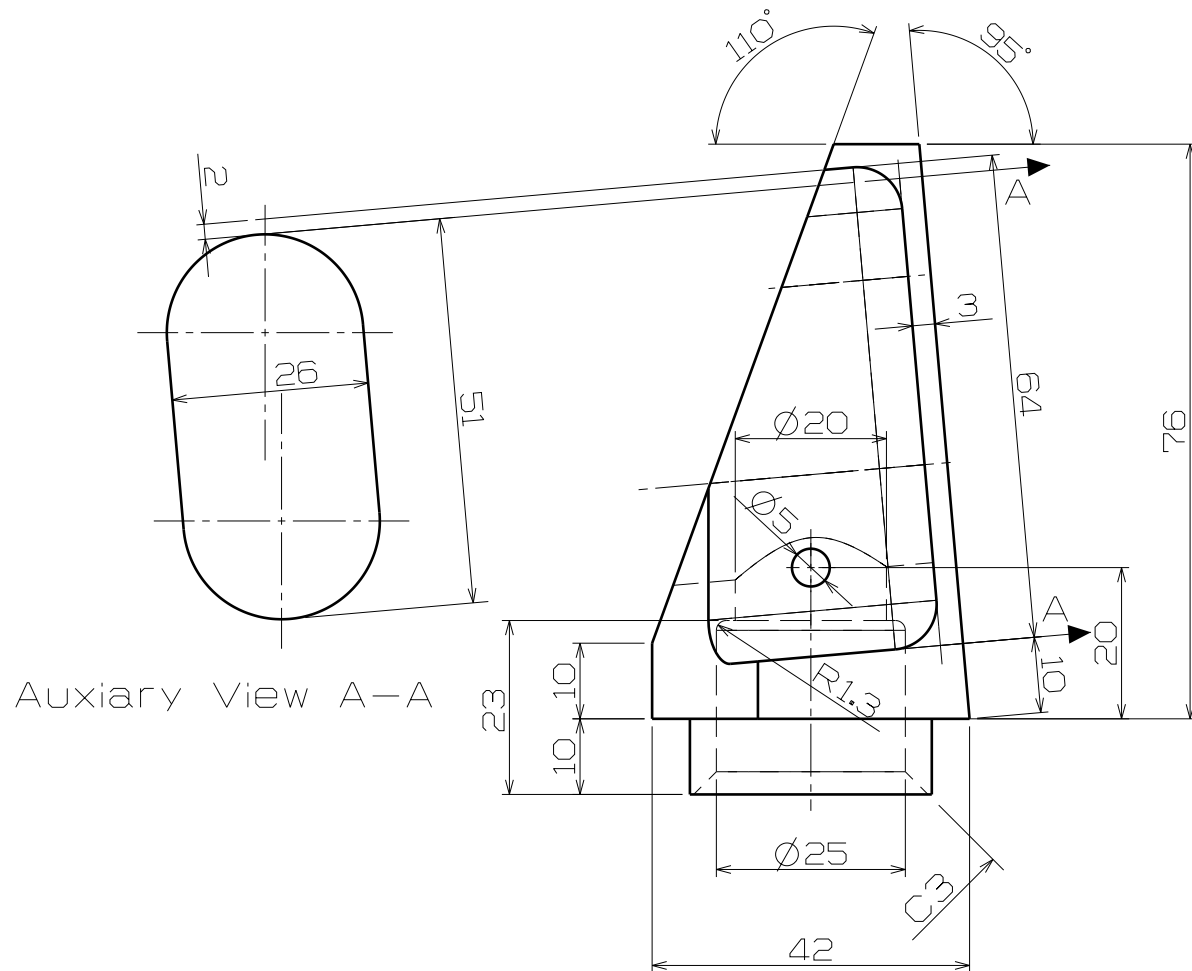
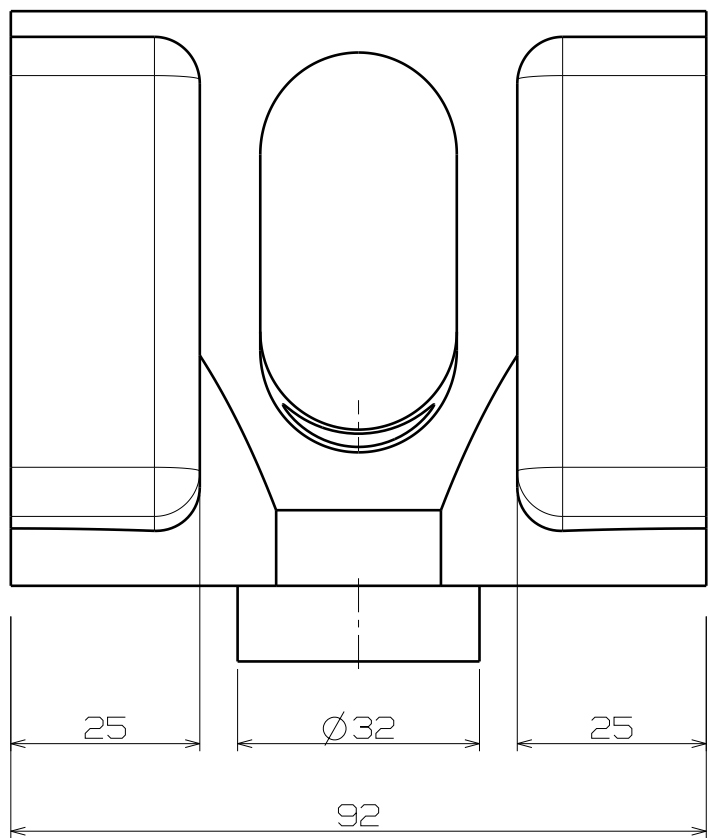
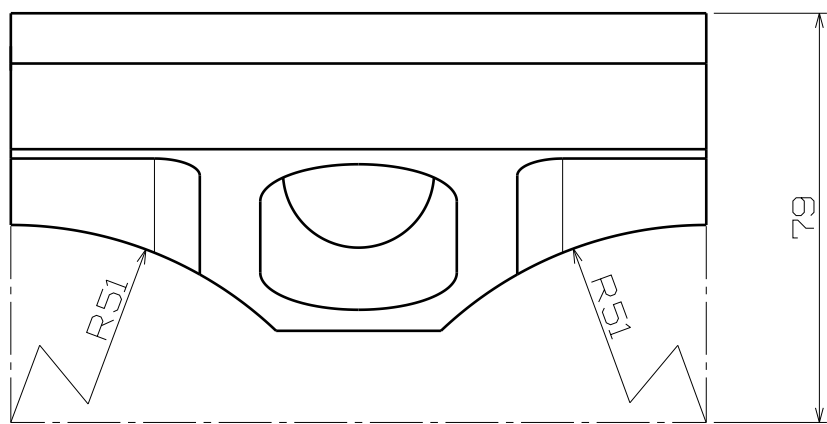
A

4

3

2

1



Auxiliary View A-A

NOTE
1. Unspecified Fillet Radius R6

DESIGNED BY: basangram			I	-
DATE: 2009-01-21			H	-
CHECKED BY: XXX			G	-
DATE: XXX			F	-
SCALE: (1:1)	WEIGHT (kg): 0.08	DRAWING NUMBER: Part1	E	-
		SHEET: 1/1	D	-
			C	-
			B	-
			A	-

This drawing is our property; it can't be reproduced or communicated without our written agreement.

H

G

B

A

4

3

2

1